

## ■ AC to DC LED Power Supply 96 Watts



### Applications

- LED Signage / Channel Letter
- LED Architectural Lighting
- LED Commercial Industrial Lighting
- LED General Luminaire
- LED Sports Lighting
- LED Cobra Head Lighting

CCC CB PSE  us CE FC IP66

## Features

- Universal Input Voltage 90~ 264 / 277Vac, meet EN61000-3-2,-3-3 Class C
- DC Output with Constant Current and / or Constant Voltage; 0~10V dimming (optional)
- suitable for Dry, Damp, Wet Locations, meet IP66
- Convection Cooled, Aluminum Housing with various type of end plates
- UL1310 Class 2,UL879,cUL,FCC B,CE
- RoHS, Reach Compliant
- Three Years Warranty

## Specifications

AC Input Range : 90~264/277Vac / 1.5A~0.75A / 47~63Hz	Load Regulation : ±5%
Input Inrush Current : <20A/115Vac,<40A/230Vac	Operation Temp. : -30°C ~ +50°C , Tc : 90°C
Leakage Current : <0.4mA /115Vac,<0.75mA / 230Vac	Storage Temp. : -40°C ~ +85°C
Power Factor : >0.92 at full load,115Vac ,230Vac	MTBF(@25°C) : >100,000 Hours,MIL-217F
Surge Immunity(IEC61000-4-5) : 3K VAC	Safety : UL1310 Class 2,UL879,UL8750(24V)
Total Harmonic Distortion (THD) : 20% Max.	EN55015,EN61547,EN61347-2-13,CE,FCC B
Efficiency : 85% Typical	IP66-IEC60529 , FCC Part 15,Subpart B,Class B
Protection : OCP,SCP,OVP - Auto Recovery	Weight : 750g(290mm), 600g(170mm) Typical

## Model Listing

Model	Constant Voltage MODE		Constant Current MODE		Output Max. Watts
	Vdc -Output adjust range	Output Current Max . (A)	DC output (Vf) Forward Voltage	Output Current adjust. range	
LP1090-48-YZ-E	36 ~ 52V	0.8 ~ 2.0A	24 ~ 48V	1 ~ 2.0A	96W
LP1090-36-YZ-E	24 ~ 36V	1 ~ 2.66A	18 ~ 36V	1.50 ~ 2.66A	96W
LP1090-24-YZ-E	18 ~ 24V	1.5 ~ 4.00A	12 ~ 24V	2.50 ~ 4.00A	96W
LP1090-19-YZ-E	12 ~ 19V	2 ~ 5.00A	10 ~ 19V	3.00 ~ 5.00A	95W

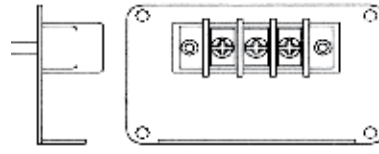
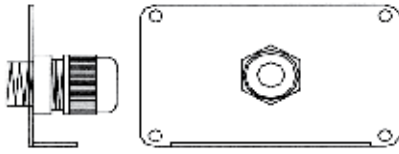
## Model Information

- LP1090 - XX - YZ - E
- XX = Voltage Rating - 19(19V), 24(24V), 36(36V), 48(48V)
- Y = AC Input End Plates ( See Mechanical Drawing )
- Z = DC Output End Plates ( See Mechanical Drawing )
- E = Aluminum Housing Length,170mm, 240mm, 290mm ( Model : -290, -297, -298, -299)
- DM = (Optional)Dimming function or Blank , D = 0~10V dimming
- M = V (constant Voltage), C (constant current), PWM Single 100~250Hz

## Mechanical Drawing

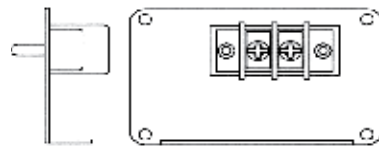
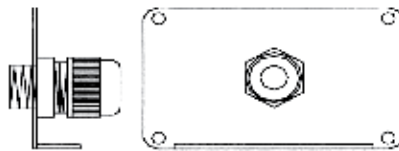
AC Input Connector Y = G , T ,  
G = GLAND ( 1/4" or 1/2" )

T = TERMINAL ( TL-03 )



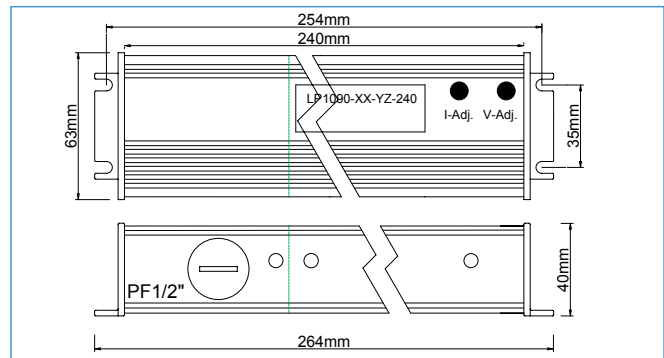
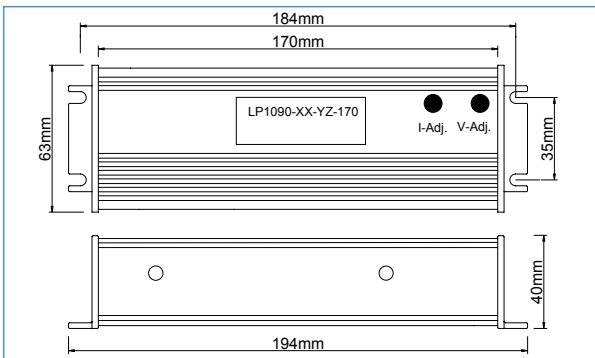
DC Output Connector Z = G , T ,  
G = GLAND ( 1/4" or 1/2" )

T = TERMINAL ( TL-02 )



E = 170 (170mm)

E = 240 (240mm)



E = 290 (290mm)

